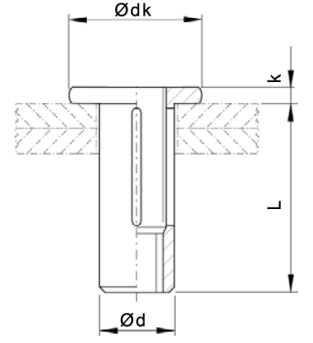


# BULBFIX SOMUN PERÇİN

## BULBFIX RIVET NUT



Ø d3	min	max	L [+1/-2] [mm]	Ø dk [+/-0,5] [mm]	k [mm]	d [+0/0,12] [mm]	ÜRÜN NO PART NO
M5	Ø 7.48	Ø 7.62	20,80	11,0	≤ 1,1	6,80	02.41213.M05
M6	Ø 9.81	Ø 9.86	25,50	16,0	≤ 1,5	8,80	02.41213.M06
M8	Ø 11.82	Ø 11.87	28,0	19,10	≤ 1,5	10,80	02.41213.M08

